

# ANACONDA STATIC BANNER STANDS

STATIC BANNER STANDS



Panels attached  
by gripper rails

Sturdy frame  
with heavy base



Telescopic pole extends to 3m

plex

STATIC BANNER STANDS

# ANACONDA

# STATIC BANNER STAND

ANACONDA IS A **HEAVY DUTY TELESCOPIC BANNER STAND** SYSTEM WITH A STURDY SILVER FRAME, THE SYSTEM HOLDS GRAPHIC PANELS UP TO 3M TALL AND FROM 600MM UP TO 1000MM WIDE IN A **SINGLE OR TWIN SIDED** FORMAT. ANACONDA SYSTEMS OFFER EASY ASSEMBLY WITH NO TOOLS REQUIRED.

#### FEATURES

- Sturdy telescopic silver frame that extends from 1500mm to 3000mm
- Heavy duty laser cut, interlocking steel base
- Suits graphic panels 600mm, 800mm and 1000mm wide
- Offers single or twin sided graphic displays
- Panels attached by gripper rails
- Supplied complete with a handy carry bag

#### ACCESSORIES

- Wide range of spotlighting options available
- Optional range of literature units to hold A4, A5 or DL brochures



plex

TELESCOPIC FRAME

# ND S



1. Sirius - Nickel Finish  
50w mains spotlight
2. Sirius - Chrome Finish  
50w mains spotlight
3. Polaris - Silver Finish  
50w mains spotlight
4. Polaris - Black Finish  
50w mains spotlight
5. Double sided system
6. Optional literature unit



STATIC BANNER STANDS

## SPECIFICATIONS

### GRAPHIC PANEL SIZES

**Minimum graphic panel size**  
1000 x 1000/800/600mm

**Maximum graphic panel size**  
3000 x 1000/800/600mm

**Maximum finished graphic panel thickness**  
250 micron

### SYSTEM SIZES

#### Assembled

1000 = 3000 (H) x 1000 (W) x 400 (D)mm

800 = 3000 (H) x 800 (W) x 400 (D)mm

600 = 3000 (H) x 600 (W) x 400 (D)mm

#### Boxed size

1000 = 1220 (L) x 210 (W) x 210 (D)mm

800 = 1220 (L) x 210 (W) x 210 (D)mm

600 = 1220 (L) x 210 (W) x 210 (D)mm

#### Boxed weight

1000mm = 7.35kg

800mm = 7.06kg

600mm = 6.80kg

**Average boxed weight of the add on literature unit**

1.0kg

## COMPONENT LIST

2 part base

3 part telescopic pole

4 graphic hanging bars

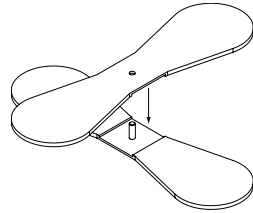
Padded carry bag and tube

**plex**

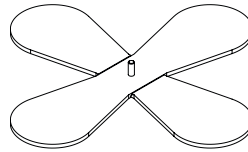
Issue 6 - December 2009

## ANACONDA ASSEMBLY INSTRUCTIONS

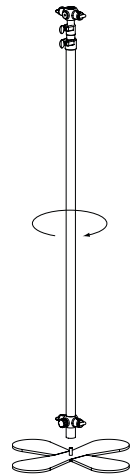
**A**



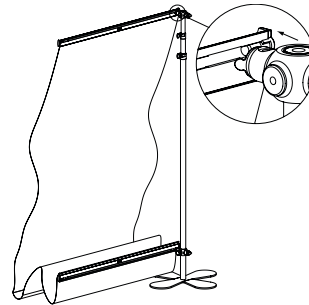
**B**



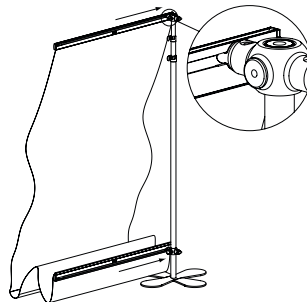
**C**



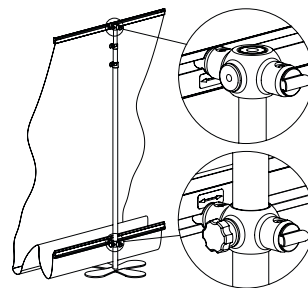
**D**



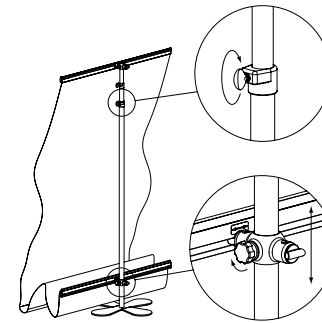
**E**



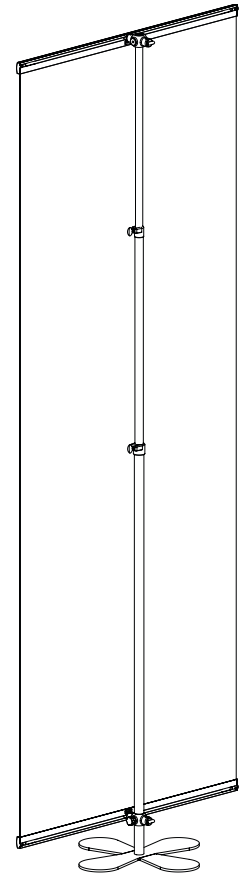
**F**



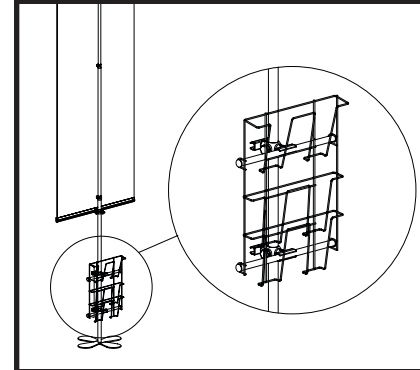
**G**



**H**



## OPTIONAL LITERATURE UNIT



## GRIPPER HANGER GRAPHIC ATTACHMENT

