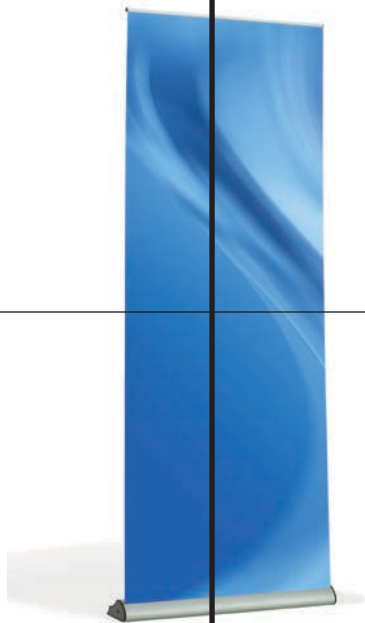


SIGMA ROLLER BANNER STANDS

ROLLER BANNER STANDS

ROLLER BANNER STANDS



Slimline mechanical hanger

complete with
carry bag

Single sided 800mm width

plex

SIGMA

ROLLER BANNER

THE SIGMA BANNER STAND ENCAPSULATES, STYLE, FEATURE AND VERSATILITY. IT'S FLAT ANTI-SLIP BASE DESIGN MAKES THIS ROLLER A HIGH END STAND AT A MID RANGE PRICE.

FEATURES

- Single sided 800mm width
- Slimline mechanical hanger
- Streamlined dynamic design
- Adjustable telescopic marked poles
- Patented mechanism allows graphic tension to be easily adjusted
- Visible graphic height maximum 2.1m
- Sirius spotlight available for use with this product



Hanger attaches to pole easily



plex

HIGHLY PORTABLE



1. Sirius - Nickel Finish 50w mains spotlight
2. Sirius - Chrome Finish 50w mains spotlight
3. Polaris - Silver Finish 50w mains spotlight
4. Polaris - Black Finish 50w mains spotlight

ROLLER BANNER STANDS

STREAMLINED DYNAMIC DESIGN

RAPID ASSEMBLY

2 YEAR WARRANTY

SPECIFICATIONS

GRAPHIC PANEL SIZE

Finished graphic panel size
2300 x 800mm (Includes 200mm bleed)
Top 10mm of graphic is hidden by the hanger

Visual graphic area
2100 x 800mm

SYSTEM SIZES

Boxed size
900 (L) x 225 (W) x 105 (D)mm

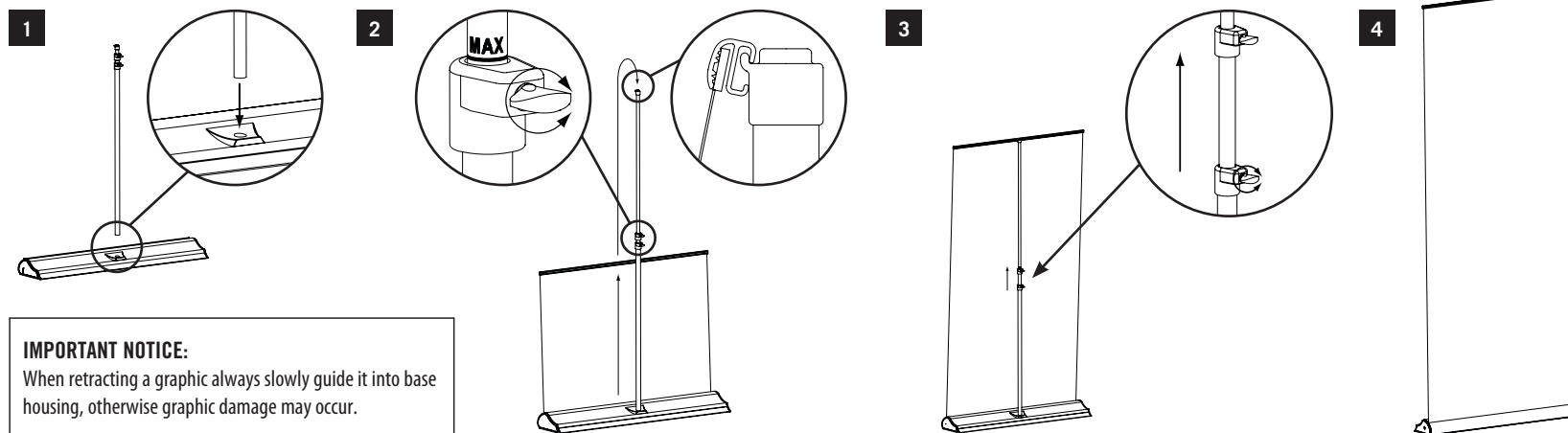
Assembled size
820 (W) x 180 (D) x 2175 (H)mm

BOXED WEIGHT
4.5kg

COMPONENT LIST

Sigma unit
3 part telescopic pole
Graphic hanger including self adhesive hanging strip
Carry bag

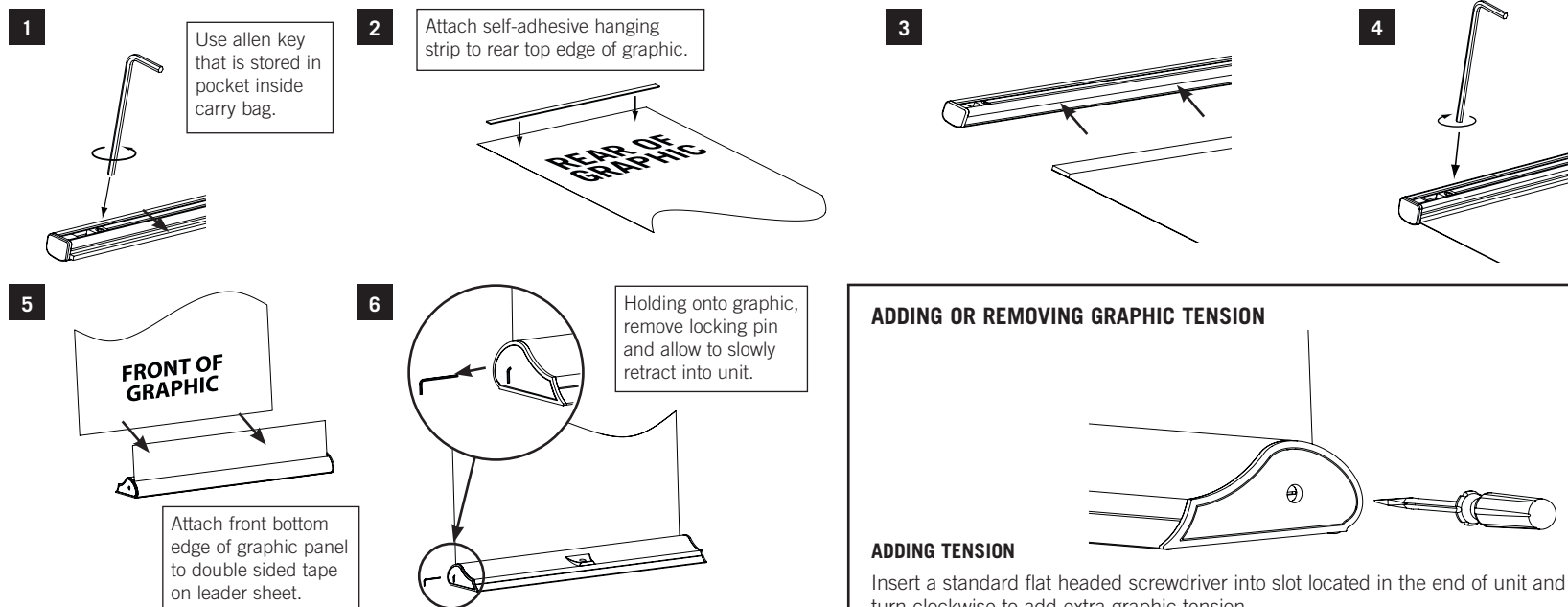
SIGMA - ASSEMBLY INSTRUCTIONS



IMPORTANT NOTICE:

When retracting a graphic always slowly guide it into base housing, otherwise graphic damage may occur.

SIGMA - GRAPHIC ATTACHMENT



IMPORTANT NOTICE:

To ensure a proper bond between graphic and double sided tape pressure must be applied. The adhesive should be allowed to cure for 24 hours before tension is applied.

ADDING OR REMOVING GRAPHIC TENSION

ADDING TENSION

Insert a standard flat headed screwdriver into slot located in the end of unit and turn clockwise to add extra graphic tension.

REMOVING TENSION

To un-tension graphic panel place a flat headed screwdriver into the slot and push to disengage ratchet. Hold in and turn anti-clockwise until tension in spring is released. To remove graphic panel carefully peel it off leader sheet. The graphic hanger can also be removed or a new hanger can be purchased.

plex

International Patent Application
No. WO 02/057588
No. PCT/GB02/00129 in USA

Issue 2 - December 2009